

Repair & Inspection

Expert repair and inspection of industrial components and machinery is critical to the success of any industrial operation.

REPAIR CATEGORIES

Working together with our repair solutions partners, BDI can handle all of your repair, rebuild, retrofit and remanufacture needs.

Bearings

- Ball
- Roller
- Tapered
- Modifications
- Large Bore Spherical



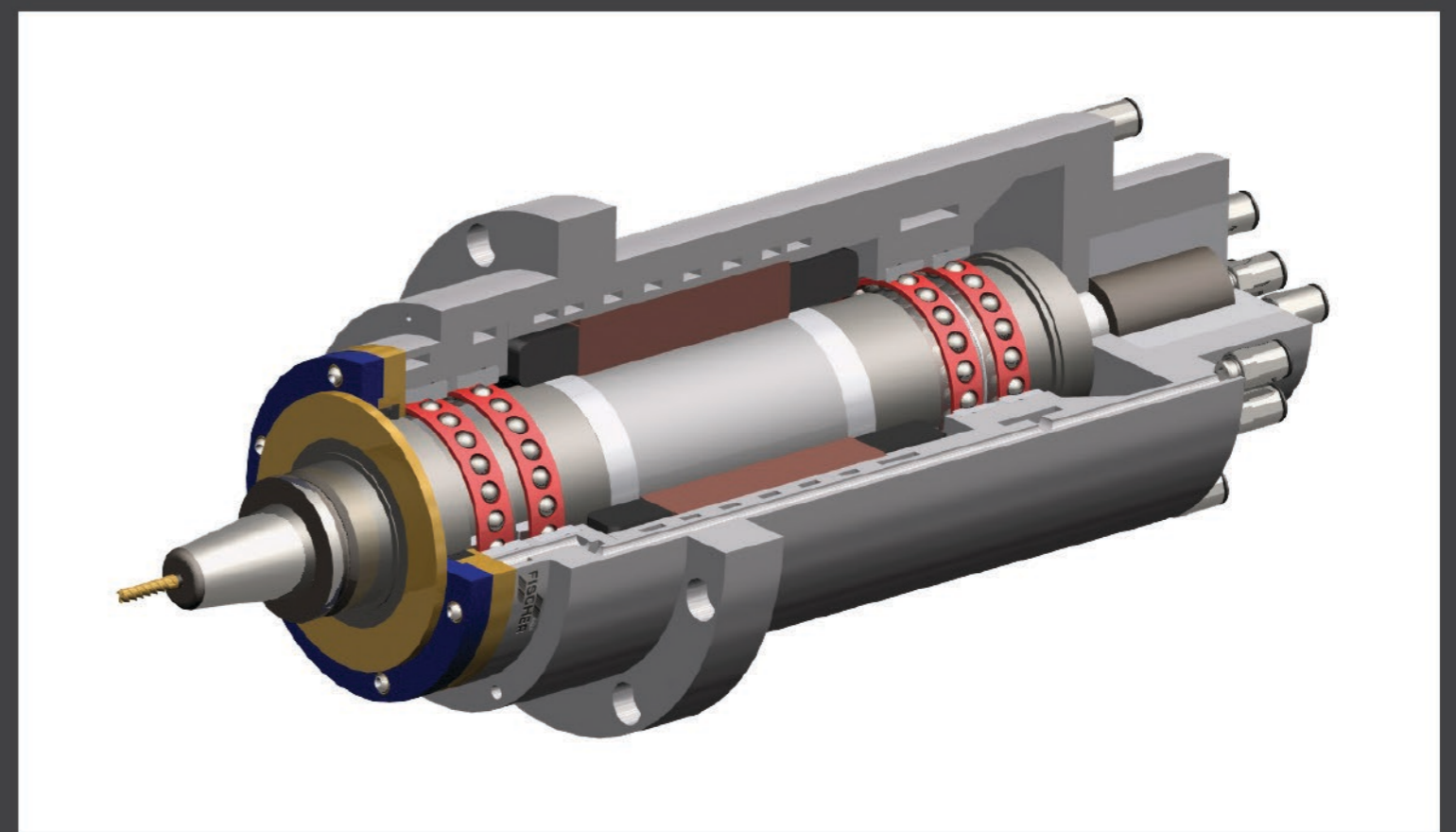
Ball Screw and Linear Systems

- Precision Ground
- Rolled
- Tables



Spindle / Live Center

- Spindles
- Live Centers
- Dead Centers
- Face Drivers



Electrical

- PLC
- Servo
- Circuit Board
- AC/DC Drives
- Instruments
- Motors
- Encoder
- Generators

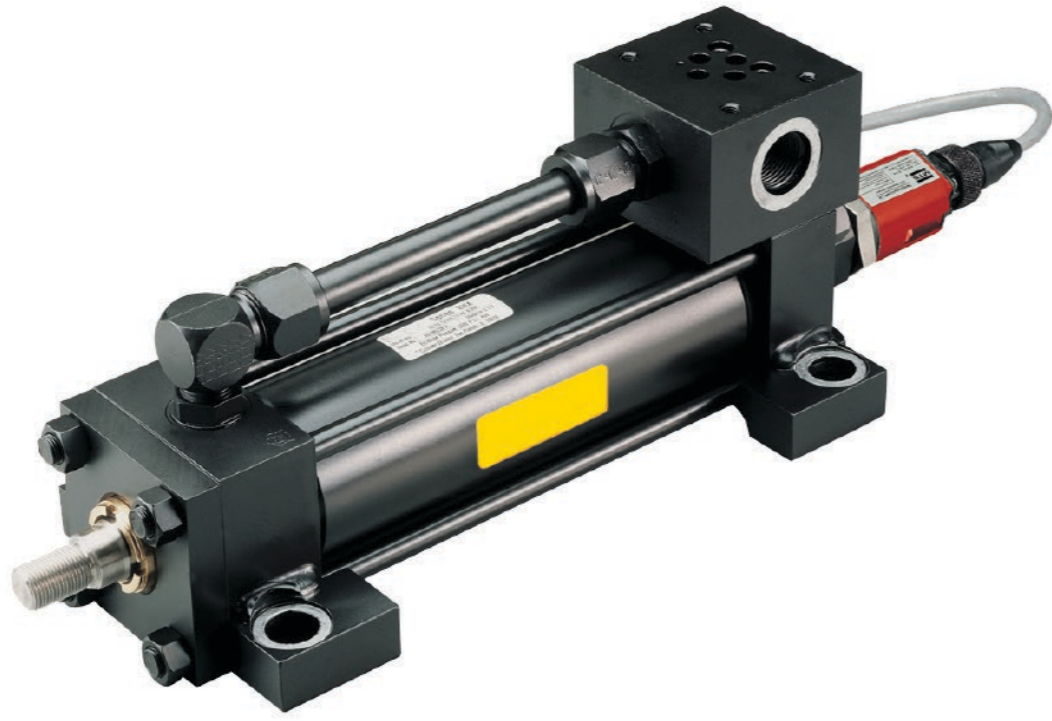
Servo

- Valves
- AC Servo Motors
- Spindle Motors
- Proportional Valves
- DC Servo Motors



Hydraulic

- Cylinders
- Pumps
- Vacuum Pumps
- Valves
- Motors
- Power Units



Pneumatic

- Cylinders
- Pumps
- Valves
- Motors
- Vibrators



Gearbox / Indexer

- Helical
- In-Line
- Parallel
- Right Angle
- Servo
- Double Enveloping



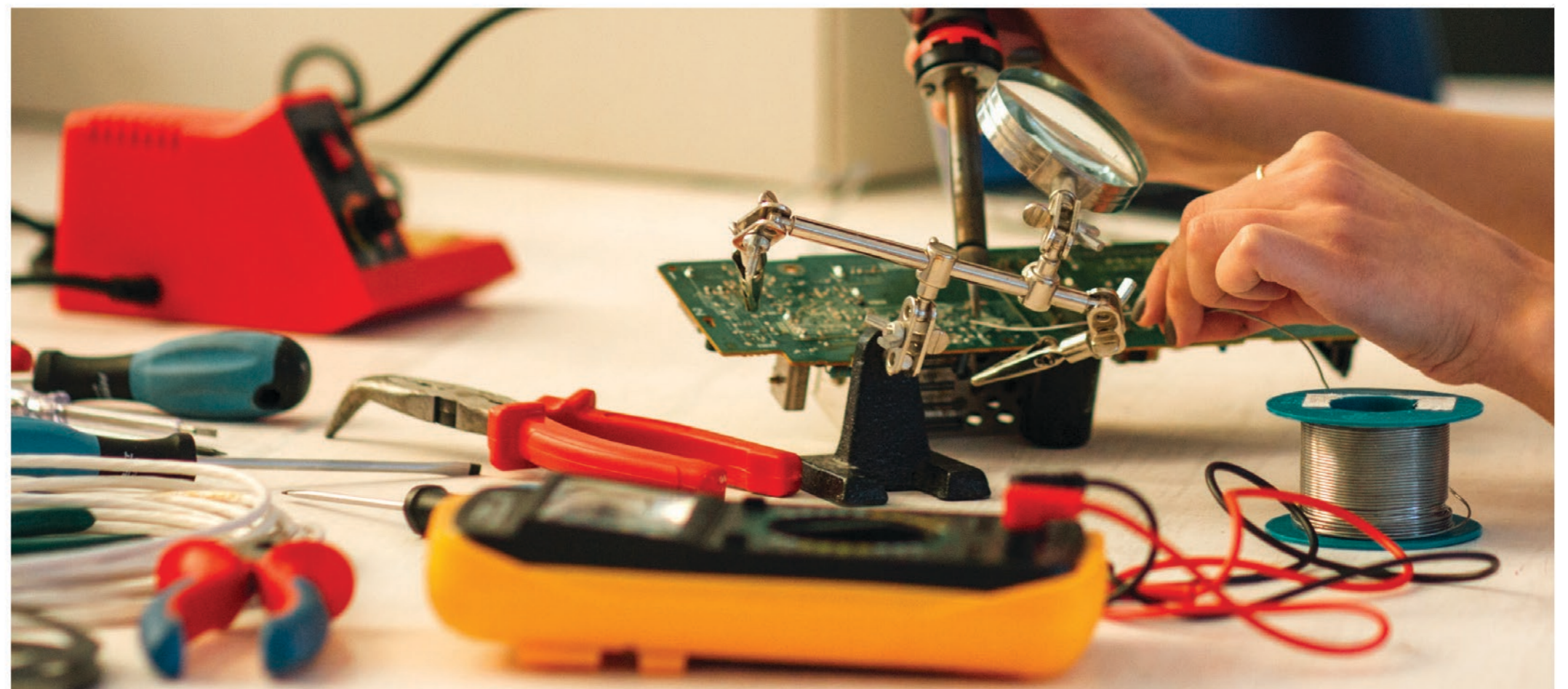
Actuators and Jacks

- Mechanical
- Electrical



PEACE OF MIND PROCESS

1. Pickup
2. Inspect
3. Quote
4. Expedite
5. Repair
6. Deliver
7. Track Warranty



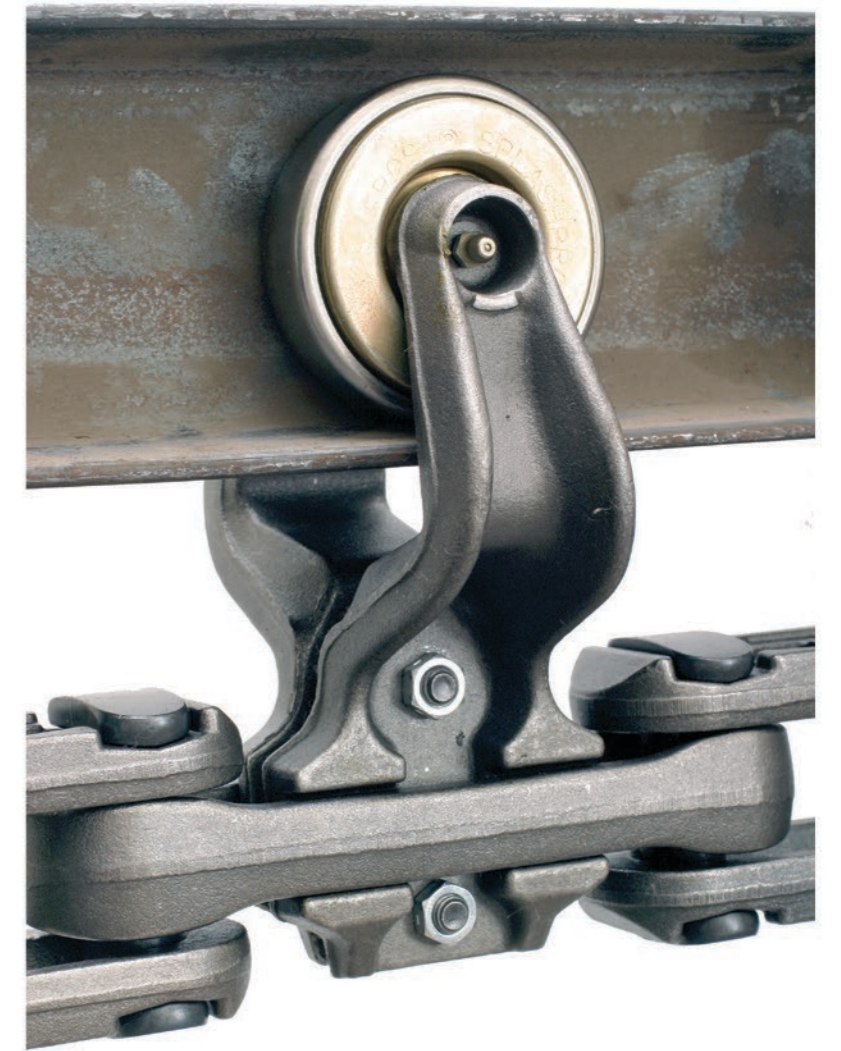
Clutches / Couplings

- Backstops
- High Speed Couplings



Chain

- Overhead Trolley
- Power and Free
- Roller Turns
- Trolleys
- Caterpillar Drives



Process Equipment

- Rotary Unions
- Blowers
- Vibrating Screens
- Rotary Airlocks
- Mixers
- Crushers
- Pumps
- Centrifuges
- Pulverizers



Roller and Pulley Covering

- Rubber Covering
- Urethane Covering
- Polymer Covering
- Pulley Lagging (Rubber/Ceramic)



Crane / Hoist

- On-site Repair & Inspection
- Rebuilds
- Electronic Drive Repair



Calibration

- Precision Instruments
- Diagnostic Equipment
- Meters



24-HOUR RUSH SERVICE



Whether provided by your local BDI branch location, or by BDI's Regional Distribution Center, we are available 24 hours a day to keep your operation running in emergency situations.

ASSEMBLY CAPABILITIES

- Pneumatic and Hydraulic Valve Manifold
- Pneumatic FRL's
- Filtration systems
- Cylinder accessorizing
- Electrical/Pneumatic Process Control Panels
- Power units

WARRANTY AND REPAIRABLE ASSETS PROCESS

BDI can customize a program to manage your warranty and repairable asset requirements.

Roller Lacer

- Exchange & Rebuild Program



Custom Machining

- Milling
- Grinding
- Custom Shafts
- Gears
- Made to Print





Success Made Easier

BDI is a full-line distributor for Bearings, Mechanical and Electrical Power Transmission, Fluid Power, Sealing/Retaining/Locking devices, Industrial Hose and Fittings, Conveyor Belting, Linear Motion and General Industrial products.

Branches are located throughout the USA, Canada, Mexico, Europe and Asia.

For more information on BDI's Repair and Inspection capabilities, please contact us.

More Than Bearings



CONVEYOR
SYSTEMS



LUBRICANTS



ELECTRIC
MOTORS



SAFETY



BELT DRIVES



CHAIN DRIVES

branch label here